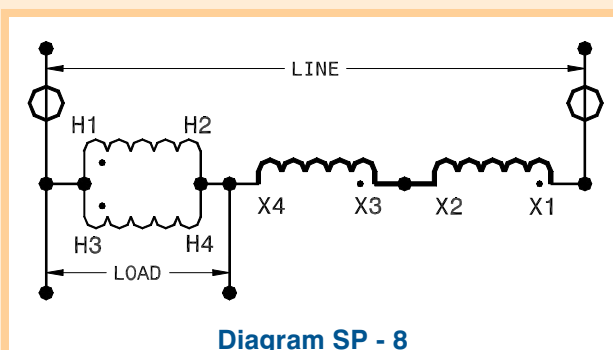
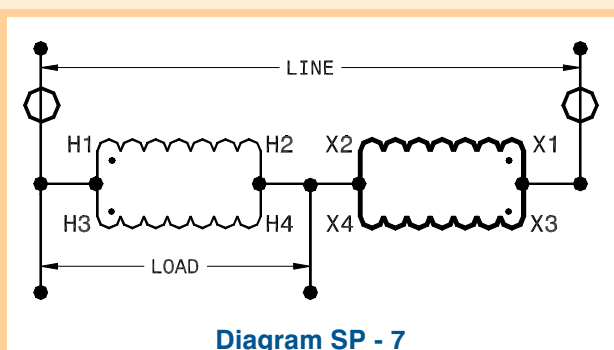
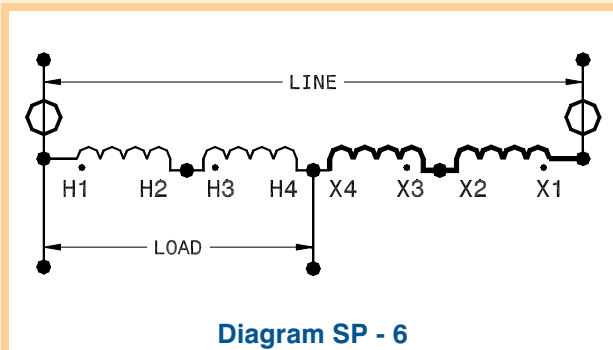
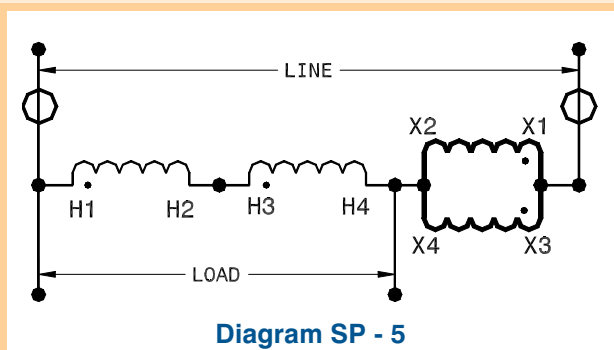
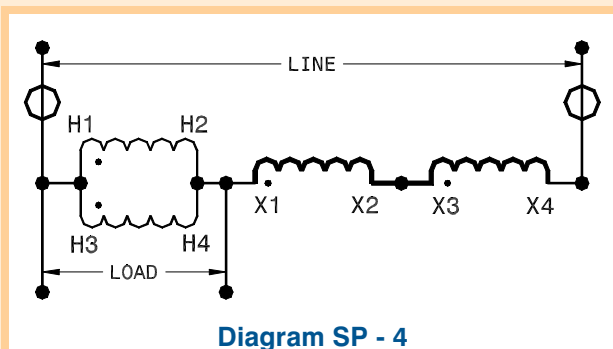
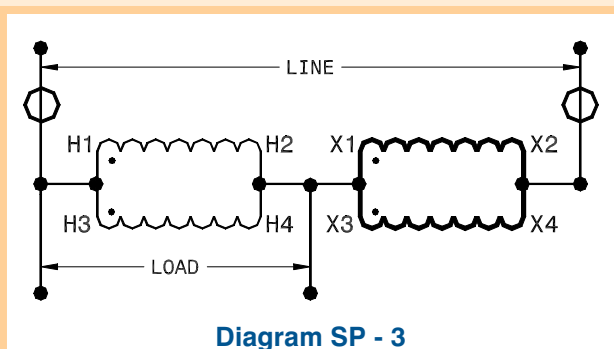
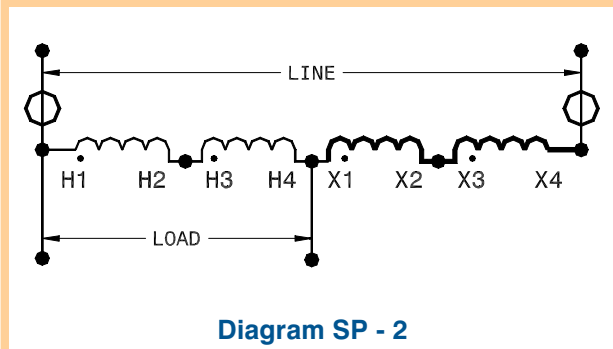
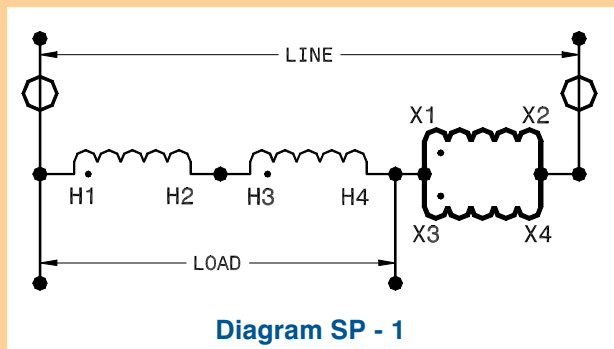


Buck - Boost Connection Diagrams

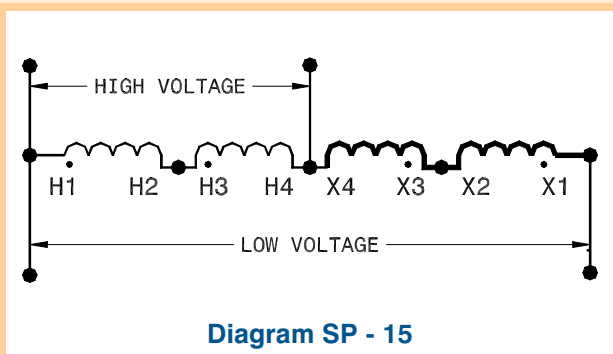
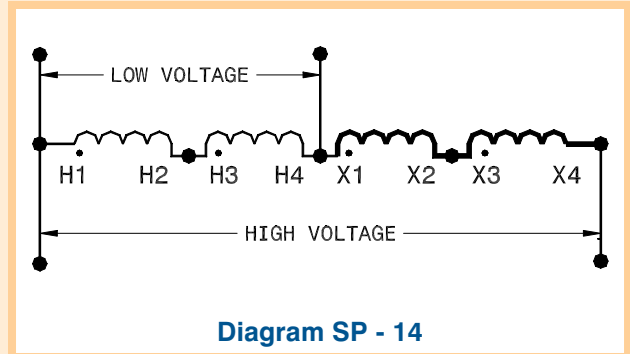
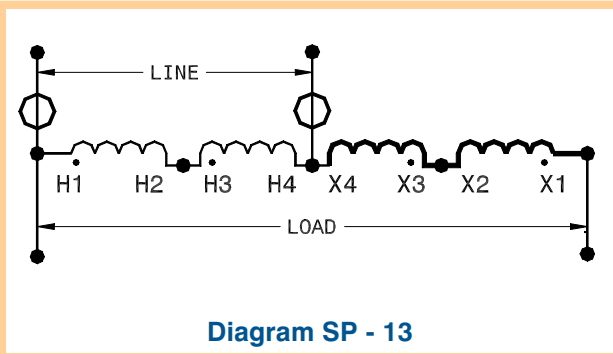
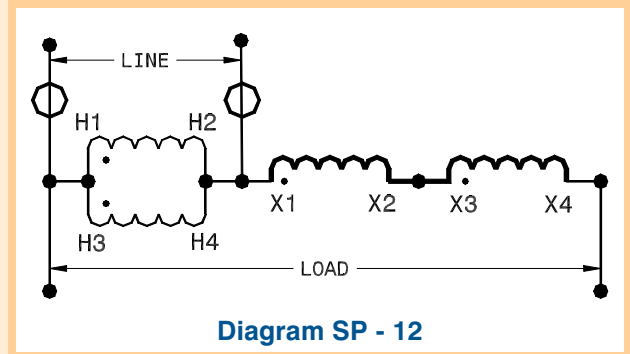
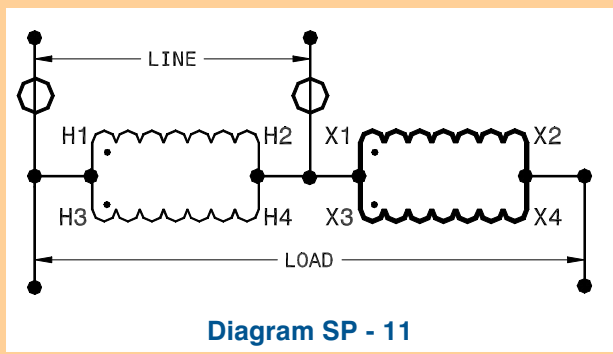
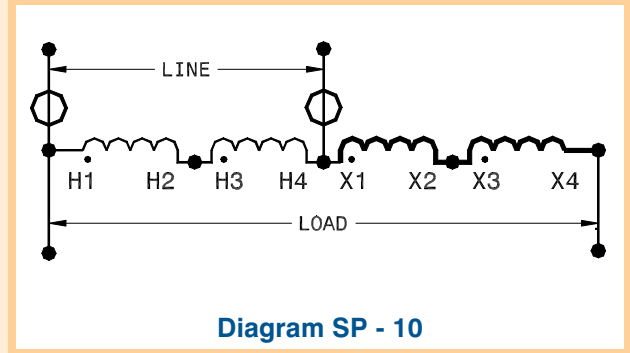
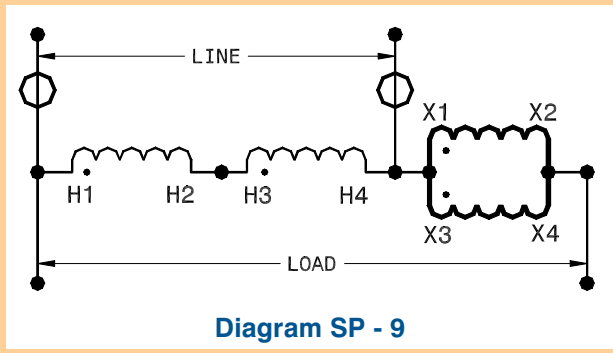
Single Phase Connection Diagrams



Buck - Boost Connection Diagrams

DONGAN ELECTRIC MANUFACTURING CO. • 2987 FRANKLIN • DETROIT, MI 48207
 800.428.2626 • 313.567.8500 • FAX 313.567.8828 • www.dongan.com

Single Phase Connection Diagrams



Symbol Key

O - Indicates Overcurrent Protection

Note: If present, do not fuse grounded conductor